

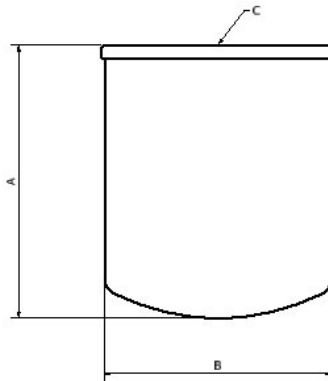
Interchange Element Data Sheet

Data sheet created using the Parker Par Fit Toolkit software.

Creation Date:	22/08/2018
Datasheet No:	AM000106
Parker Part No:	RS175RCR01
Element Style:	Fuel
Fluid Type:	Spin On Canister

Product Dimensions

A: (mm)	167.0	(in)	6.57
B: (mm)	110.0	(in)	4.33
C:	M32 x 1.5		



Media Performance

Micrometer Rating (>98%)	2 Micron
OE Applications:	Renault

Filtration Data

Nominal Flow Rate (LPH):	600.00	(GPH)	160.00
---------------------------------	--------	--------------	--------